

Technical data sheet

Product features



Cooking range gas 8x burner on open cabinet

Model	SAP Code	00002955
--------------	-----------------	----------



- Device type: Gas unit
- Power consumption of the zone 1 [kW]: 10
- Power consumption of the zone 2 [kW]: 10
- Power consumption of the zone 3 [kW]: 7
- Power consumption of the zone 4 [kW]: 7
- Power consumption of the zone 5 [kW]: 7
- Power consumption of the zone 6 [kW]: 7
- Ignition: Eternal flame
- Protection of controls: IPX5
- Material: AISI 304

SAP Code	00002955	Power consumption of the zone 1 [kW]	10
Net Width [mm]	1600	Power consumption of the zone 2 [kW]	10
Net Depth [mm]	900	Power consumption of the zone 3 [kW]	7
Net Height [mm]	900	Power consumption of the zone 4 [kW]	7
Net Weight [kg]	156.00	Power consumption of the zone 5 [kW]	7
Power gas [kW]	56.000	Power consumption of the zone 6 [kW]	7
Type of gas	Natural gas, propane butane	Power consumption of the zone 7 [kW]	4
Number of zones	8	Power consumption of the zone 8 [kW]	4

Technical data sheet

Technical drawing

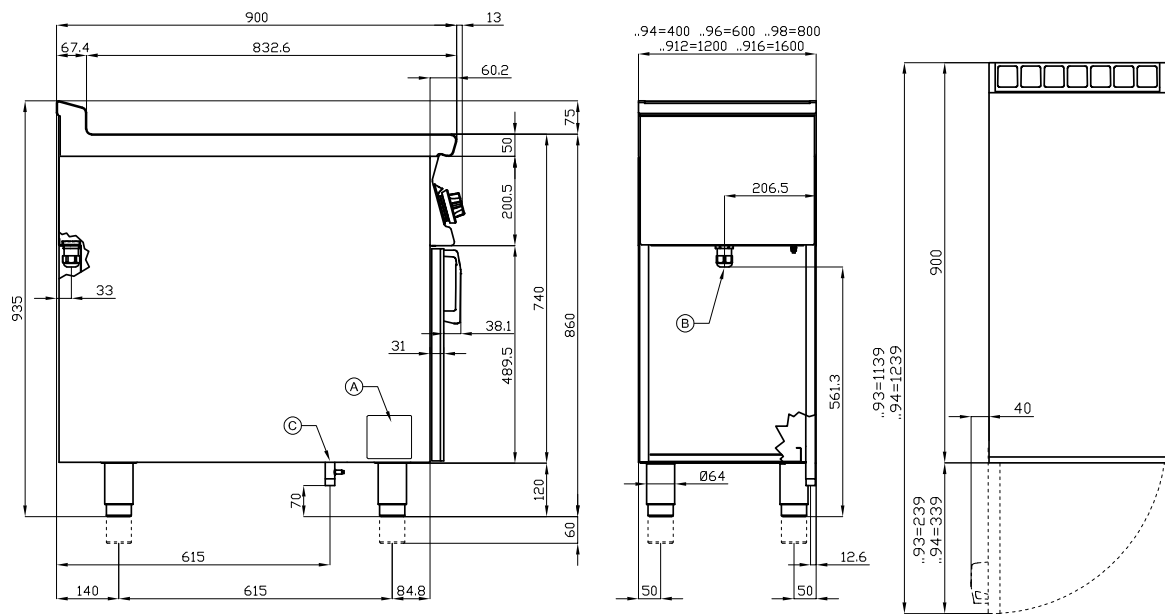


Cooking range gas 8x burner on open cabinet

Model

SAP Code

00002955



A	Data plate		C	Gas connection	ISO 7-1 3/4" M
---	------------	--	---	----------------	----------------

Technical data sheet

Product benefits



Cooking range gas 8x burner on open cabinet

Model

SAP Code

00002955

1

Massive construction of burners

high performance and efficiency
brass burners removable
eternal flame
long life
demountable

- energy saving (perfect combustion)
- time saving for food preparation
- easy maintenance/cleaning

2

Hygienic moldings of the top plate

absence of sharp corners and edges (potential places where dirt could stick)
smooth transitions

- easy quick cleaning

3

Degree of protection of the control elements IPX5

maintenance-free system
resistance to splash water
long life

- savings on service interventions
- easy cleaning and maintenance of equipment

4

All-stainless design

the material does not cut
wear resistance of the material
long life

- savings on service interventions
- easy cleaning and maintenance of equipment

5

Safety element - thermocouple

safe operation for personnel
there is no overheating and damage to the thallus
long life

- savings on service interventions
- easier and faster operation

Technical data sheet

Technical parameters



Cooking range gas 8x burner on open cabinet

Model

SAP Code

00002955

1. SAP Code:

00002955

2. Net Width [mm]:

1600

3. Net Depth [mm]:

900

4. Net Height [mm]:

900

5. Net Weight [kg]:

156.00

6. Gross Width [mm]:

1670

7. Gross depth [mm]:

1050

8. Gross Height [mm]:

1120

9. Gross Weight [kg]:

182.00

10. Device type:

Gas unit

11. Construction type of device:

With substructure

12. Power gas [kW]:

56.000

13. Ignition:

Eternal flame

14. Type of gas:

Natural gas, propane butane

15. Protection of controls:

IPX5

16. Exterior color of the device:

Stainless steel

17. Material:

AISI 304

18. Worktop type:

Molded - comfortable cleaning maintenance

19. Worktop material:

AISI 304

20. Worktop Thickness [mm]:

2.00

21. Number of zones:

8

22. Power consumption of the zone 1 [kW]:

10

23. Power consumption of the zone 2 [kW]:

10

24. Power consumption of the zone 3 [kW]:

7

25. Power consumption of the zone 4 [kW]:

7

26. Power consumption of the zone 5 [kW]:

7

27. Power consumption of the zone 6 [kW]:

7

28. Power consumption of the zone 7 [kW]:

4

Technical data sheet

Technical parameters



Cooking range gas 8x burner on open cabinet

Model

SAP Code

00002955

29. Power consumption of the zone 8 [kW]:

4

30. Number of power control stages:

6

31. Grid material:

Cast iron

32. Service accessibility:

From the front by removing the front panel and waste fluid containers

33. Safety thermocouple:

Yes

34. Adjustable feet:

Yes

35. Number of burners/hot plates:

8

36. Type of gas cooking zones:

Classic

37. Burner type:

Brass, detachable